

Technical data sheet

Product features



Electric fryer

Model	SAP Code	00008191
--------------	-----------------	----------



- Basin volume [l]: 13
- Drain type: On the front panel
- Safety drain: Yes
- Maximum device temperature [°C]: 190
- Minimum device temperature [°C]: 50
- Material: AISI 304
- Heating location: Inside the tank
- Number of baskets: 1
- Basket size [mm]: 280 x 295 x 100

SAP Code	00008191	Loading	400 V / 3N - 50 Hz
Net Width [mm]	400	Basin volume [l]	13
Net Depth [mm]	730	Number of basins	1
Net Height [mm]	313	Number of baskets	1
Net Weight [kg]	24.20	Basket size [mm]	280 x 295 x 100
Power electric [kW]	12.500	Ratio power/volume [kW/l]	0.96

Technical data sheet

Technical drawing

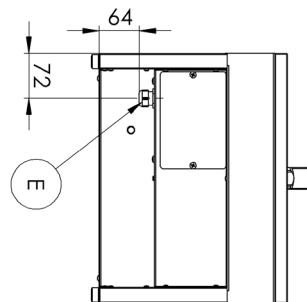
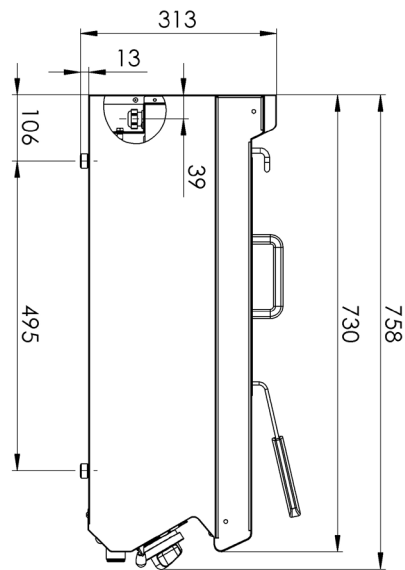
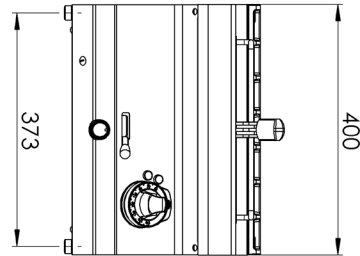


Electric fryer

Model

SAP Code

00008191



Technical data sheet

Technical parameters



Electric fryer

Model

SAP Code

00008191

1. SAP Code:

00008191

2. Net Width [mm]:

400

3. Net Depth [mm]:

730

4. Net Height [mm]:

313

5. Net Weight [kg]:

24.20

6. Gross Width [mm]:

440

7. Gross depth [mm]:

800

8. Gross Height [mm]:

480

9. Gross Weight [kg]:

29.00

10. Device type:

Electric unit

11. Construction type of device:

Table top

12. Power electric [kW]:

12.500

13. Loading:

400 V / 3N - 50 Hz

14. Protection of controls:

IP24

15. Exterior color of the device:

Stainless steel

16. Material:

AISI 304

17. Indicators:

operation and warm-up

18. Worktop type:

Molded - comfortable cleaning maintenance

19. Worktop material:

AISI 304

20. Worktop Thickness [mm]:

1.50

21. Surface finish:

polished stainless steel

22. Device heating type:

Direct

23. Standard equipment for device:

lid and basket

24. Basin volume [l]:

13

25. Basin dimensions [mm x mm x mm]:

308 x 338 x 199

26. Volume capacity of the container [l]:

13.00

27. Maximum device temperature [°C]:

190

28. Minimum device temperature [°C]:

50

Technical data sheet

Technical parameters



Electric fryer

Model

SAP Code

00008191

29. Service accessibility:

Trough the frontal panel

30. Safety thermostat:

Yes

31. Safety thermostat up to x ° C:

235

32. Heating element material:

Stainless steel

33. Number of baskets:

1

34. Number of basins:

1

35. Basket size [mm]:

280 x 295 x 100

36. Basin material:

AISI 304 - High quality stainless steel

37. Ratio power/volume [kW/l]:

0.96

38. Drain type:

On the front panel

39. Safety drain:

Yes

40. Heating location:

Inside the tank

41. Cross-section of conductors CU [mm²]:

4

- Výkon (kW): 30-37 (230 V); 53-64 (400 V)